



WORKLAMPS



E92004-E SERIES

Circular LED

The E92004-E worklamp offers high intensity 700 lumen light output makes this LED worklamp the ideal choice for a wide variety of applications. Features 12-24V operation.

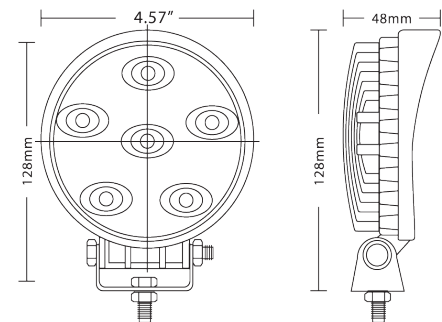
Models

PART NO.	VOLTAGE	AMPS	LUMENS	TYPE
E92004-E	12-24V	1.1	700	Flood

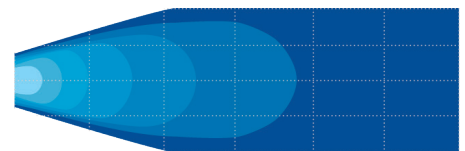
Features and Benefits

- Six 3-watt LEDs
- Aluminum heatsink housing
- Acrylic lens

Dimensions



Beam Pattern





WORKLAMPS



E92007-E SERIES

Square LED

The E92007-E worklamp offers high intensity 700 lumen light output and makes this LED worklamp the ideal choice for a wide variety of applications. Features 12-24V operation.

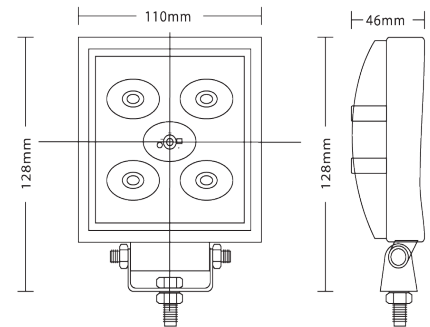
Models

PART NO.	VOLTAGE	AMPS	LUMENS	TYPE
E92007-E	12-24	0.9	700	Flood

Features and Benefits

- Five 3-watt LEDs
- Aluminum heatsink housing
- Acrylic lens

Dimensions



Beam Pattern

