

## Gravityflo® Portable Eyewash

### FEATURES:

---

- Molded plastic spray outlets
- 9 gallon high density molded polyethylene tank
- Pull tray for activation
- 0.4 GPM (1.51 L/min) @ 30 PSI flow rate
- Plastic fill cap with integral tamper prevention
- Shelf, table (tailgate), or wall mountable (wall mount bracket included)
- Integral eyewash sign included

### STANDARDS:

---

- ANSI/ISEA Z358.1 certified

### WARRANTY:

---

Visit [www.speakman.com](http://www.speakman.com) for full product warranty information

- 3 Year Limited Warranty (commercial)



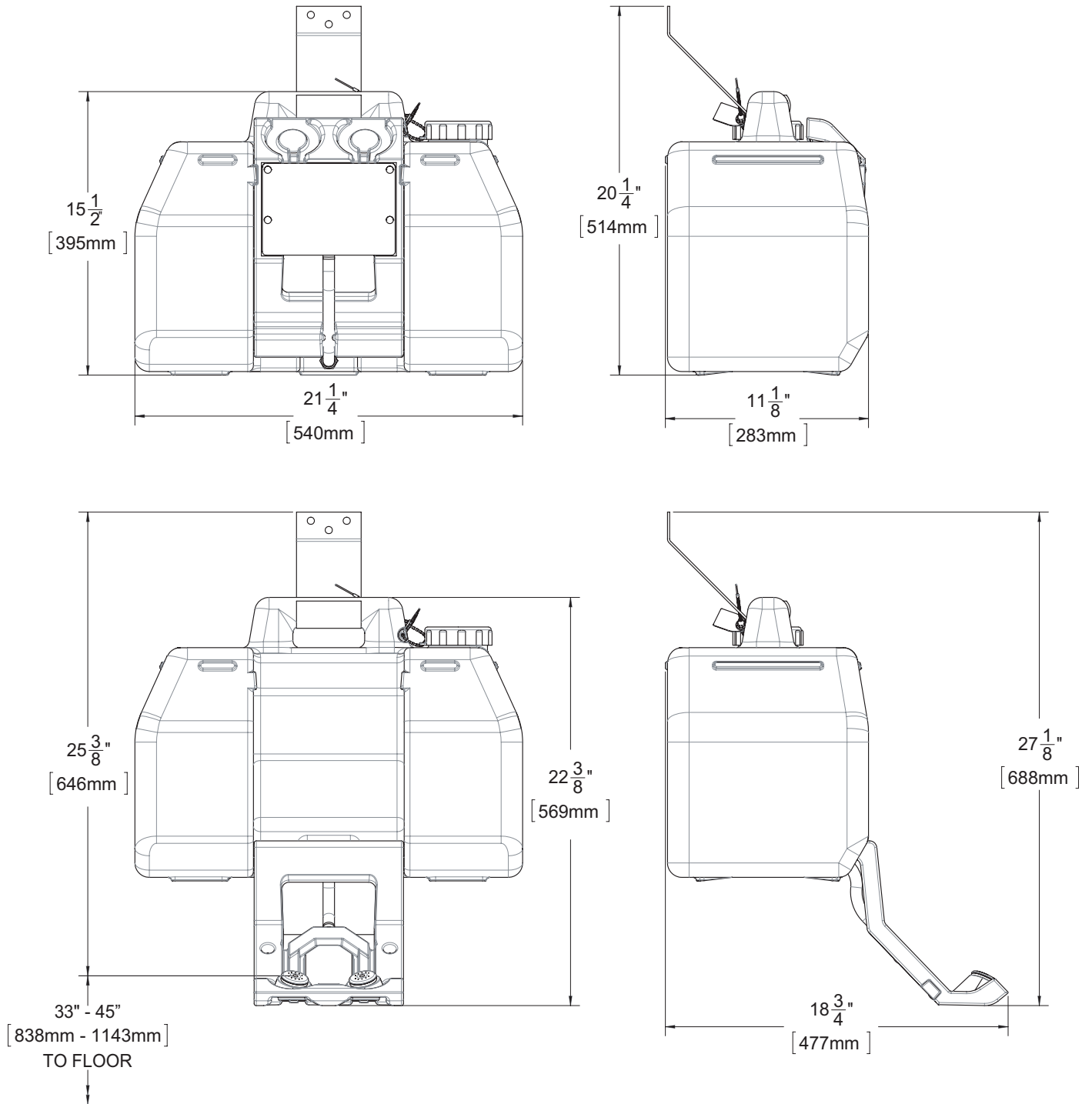
Information continues on next page

All dimensions are in inches (millimeters) unless otherwise specified and are subject to change without notice.

Architect/Engineer Approval Space:

P: 800-537-2107  
F: 800-977-2747  
W: WWW.SPEAKMAN.COM  
R: 02-NOVEMBER 2019

## Gravityflo® Portable Eyewash



All dimensions are in inches (millimeters) unless otherwise specified and are subject to change without notice.

Architect/Engineer Approval Space:

P: 800-537-2107  
 F: 800-977-2747  
 W: WWW.SPEAKMAN.COM  
 R: 02-NOVEMBER 2019

## Gravityflo® Portable Eyewash

### MODELS:

---

- SE-4300: Gravityflo Portable Eyewash
- SE-4330: Gravityflo Portable Eyewash with Heated Jacket
- SE-4380: Gravityflo Portable Eyewash with SE-4360 transportation cart

### FEATURES:

---

- Molded plastic spray outlets
- 20 gallon high density molded polyethylene tank
- Pull elastomeric strap for activation
- 3/4" GHT Male fitting for draining and cleaning unit, and attaching the included SE-4920 drench hose for quick and easy draining
- 3/4" GHT Male drain outlet on underside of tank
- 0.4 GPM (1.51 L/min) @ 30 PSI flow rate
- Plastic fill cap with integral tamper prevention
- Shelf or wall mountable (wall mount bracket included)
- Integral eyewash sign included

### ADD-ONS:

---

- SE-4930: Freeze Protected Jacket
- SE-4360: Transportation Cart

### STANDARDS:

---

- ANSI/ISEA Z358.1 certified

### WARRANTY:

---

Visit [www.speakman.com](http://www.speakman.com) for full product warranty information

- 3 Year Limited Warranty (commercial)



SE-4300

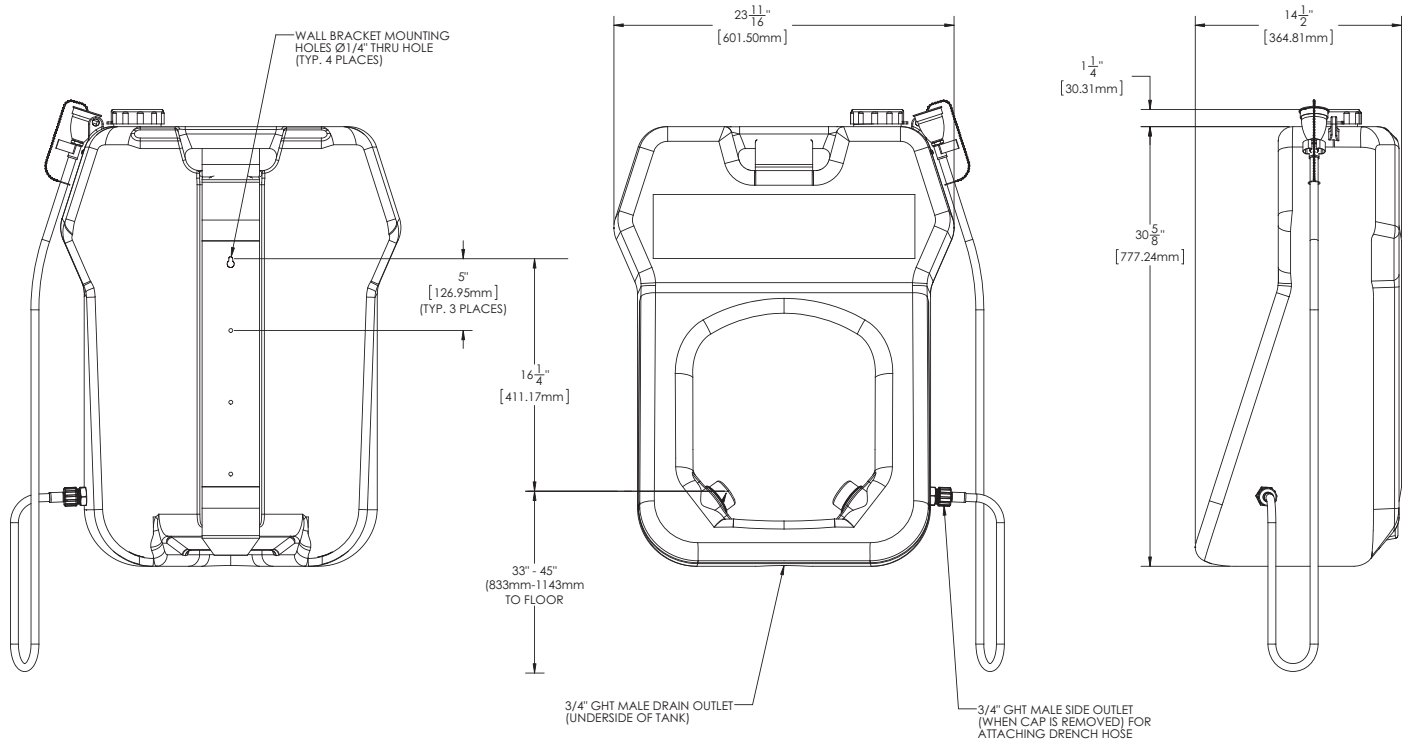
Information continues on next page

All dimensions are in inches (millimeters) unless otherwise specified and are subject to change without notice.

Architect/Engineer Approval Space:

P: 800-537-2107  
F: 800-977-2747  
W: WWW.SPEAKMAN.COM  
R: 02-NOVEMBER 2019

## Gravityflo® Portable Eyewash



All dimensions are in inches (millimeters) unless otherwise specified and are subject to change without notice.

Architect/Engineer Approval Space:

P: 800-537-2107  
 F: 800-977-2747  
 W: WWW.SPEAKMAN.COM  
 R: 02-NOVEMBER 2019